

CUSTOM PE TUBES



Parts for the assembly of tube slides tailored to your needs. Make different settings; spiral tubes, straight, meandering, passageways.

Made of **100% recyclable polyethylene (PE)**, and available in different colors. They offer a finish that is pleasant to the touch, resistant to moisture and without sharp edges, being safe for the little ones.

We work with advanced design programs to offer the best proposals to our clients. Designed according to the requirements of the **EN1176 standard**.

Contact us to receive your customized project.

AVAILABLE COLORS: (Color combination is also possible)

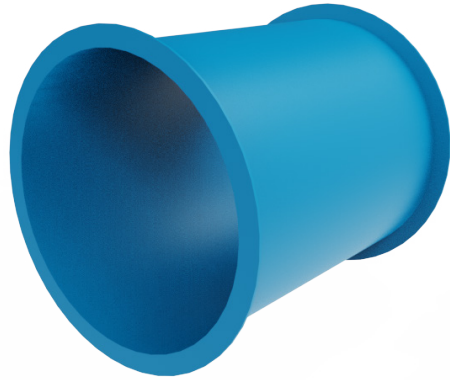
RED RAL 3020	YELLOW RAL 1018	BLUE RAL 5015	GREEN RAL 6018	VIRGIN POLYETHYLENE		
ECO VERSIONS	BLUE 100% RECYCLED RAL 5001	GREEN 100% RECYCLED RAL 6026	GREY 100% RECYCLED RAL 7012	BLACK 100% RECYCLED RAL 9011	ORANGE 100% RECYCLED RAL 2010	BROWN 100% RECYCLED



Molder Disnova Composites
www.molderdisnova.com



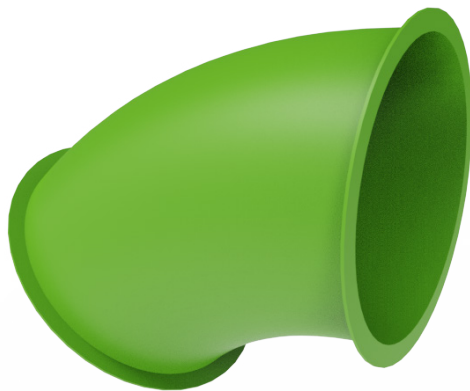
CUSTOM PE TUBES



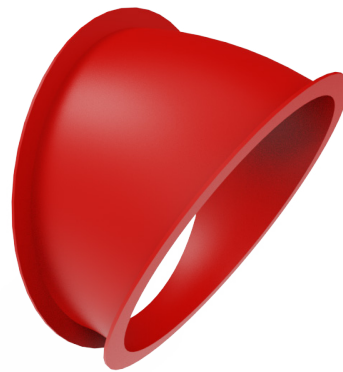
1 m straight tube



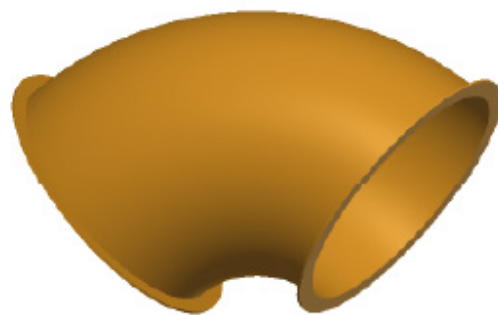
50 cm straight tube



45° Elbow tube



30° Elbow tube



75° Elbow tube



PE 100% Reciclado

Exit module

Includes threaded inserts for assembly and fixing to the ground.

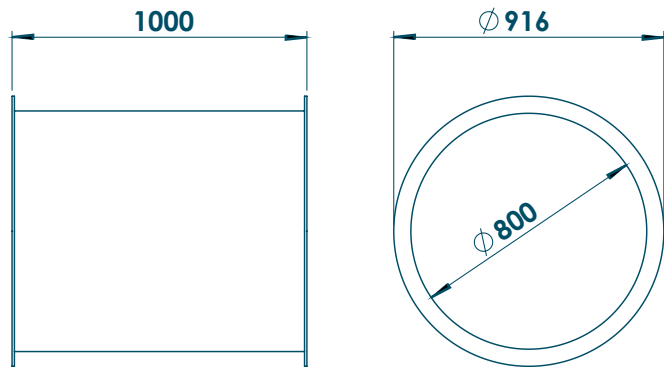
Modules can be supplied undrilled.

For **custom slides**, drills and assembly screws are included.

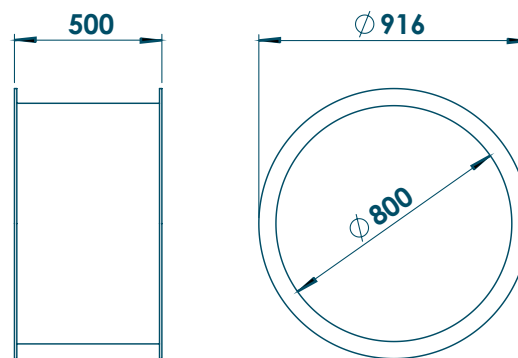


CUSTOM PE TUBES

1 m straight tube

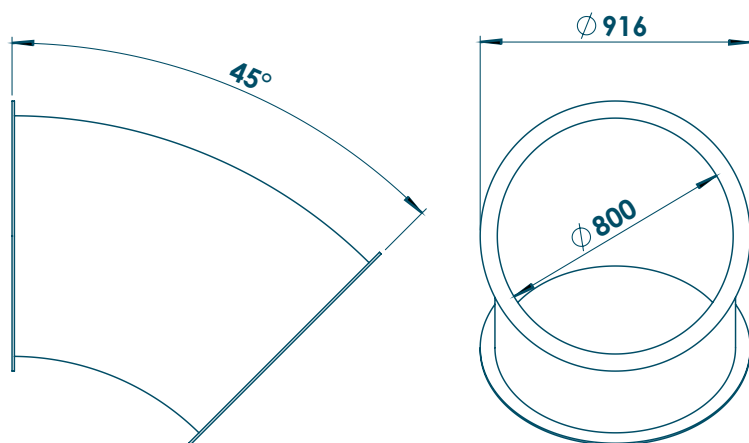


50 cm straight tube

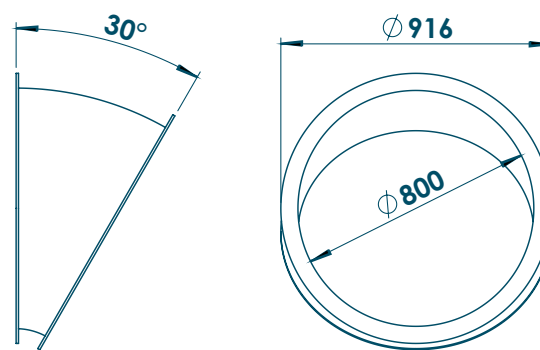


Dimensions in mm.

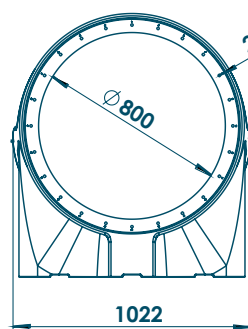
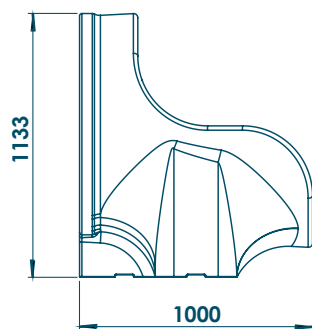
45° Elbow tube



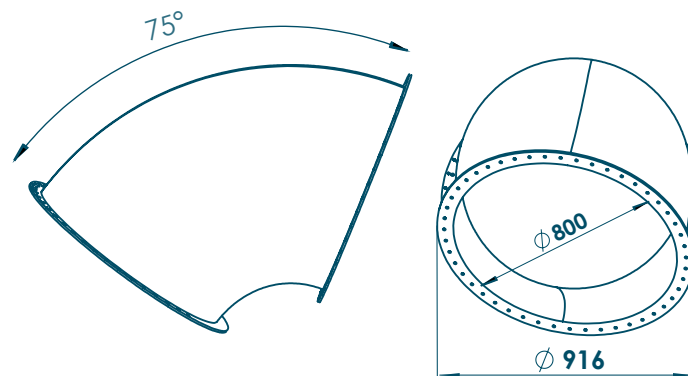
30° Elbow tube



Exit module



75° Elbow tube

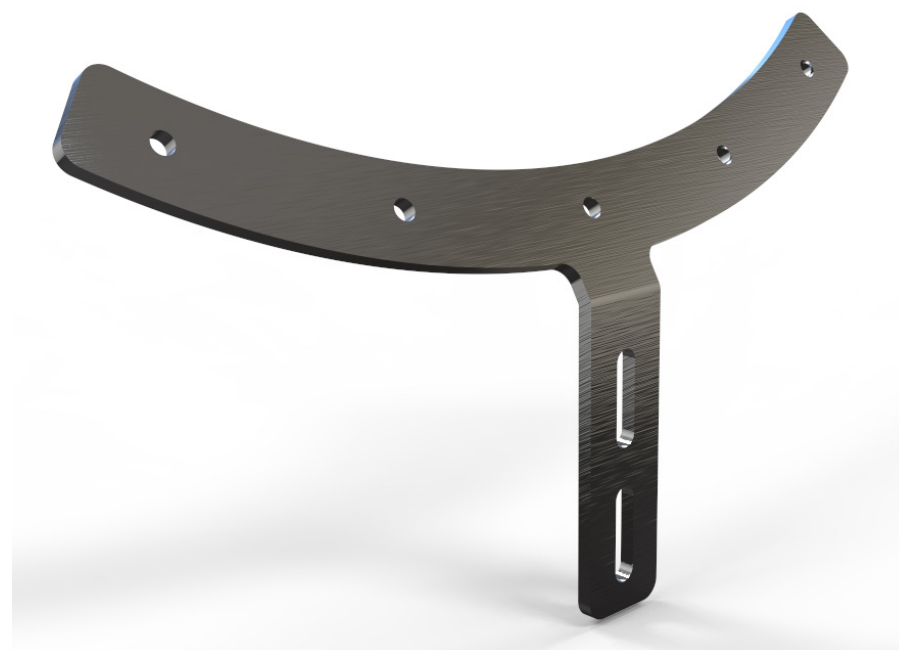


ACCESSORIES TUBE SLIDES

Bracket 3 holes - 30°



Bracket 5 holes - 30°



Screws



Taps

